

# WALL MOUNTED SHOWER SYSTEMS

surfashower®

Valve is ASSE 1016 Listed 

MULTIPLE USER  
FOR STANDARD AND HANDICAPPED  
INSTALLATIONS

THREE PERSON (Thermostatic)



**SS-7600-100/3ISA-3P**

All Leonard Model 7600 Thermostatic Shower Valves have limitations. Please keep in mind that per the ASSE 1016-2011 Performance Standard, Harmonized along with ASME and CSA, it dictates inlet conditions of equal pressures, 45 PSI on both Hot and Cold Inlets, in addition to a Hot supply temperature range of 140 deg F- 180 deg F. Significant deviations from those conditions stated above will alter performance expectations.



**WARNING:** This product can expose you to chemicals including lead, which is known to the State of California to cause cancer. For more information, go to [www.P65Warnings.Ca.gov](http://www.P65Warnings.Ca.gov)

<b>Engineer's Approval</b>	Job # _____
	Arch/Eng. _____
	Contractor _____

© 2018 Leonard Valve Company  
Printed in USA

SS-7600-100/3ISA-2P (TWO PERSON)

- Copper encapsulated thermostat assembly with brass shuttle, compensates for temperature fluctuations induced by water temperature and pressure changes
- Factory pre-assembled with 18 gauge stainless steel cover #4 finish, with top and bottom caps
- 3/4" top inlet connections
- Maximum operating pressure: 125 PSIG (860KPA)
- Vandal resistant screws

SS-7600-100/3ISA-3P

- Copper encapsulated thermostat assembly with brass shuttle, compensates for temperature fluctuations induced by water temperature and pressure changes
- Factory pre-assembled with 18 gauge stainless steel cover #4 finish, with top and bottom caps
- 3/4" top inlet connections
- Maximum operating pressure: 125 PSIG (860KPA)
- Vandal resistant screws

**All Stations with:**

- Thermostatic Shower Valve
- Adjustable limit stop set for 110°F (43°C)\*
- Built-in shutoff for single handle operation
- Color-coded dial, lever handle
- Integral inlet checkstops, recessed soap dish
- H-06 institutional shower head, 2.5 GPM (9.5 l/min.) max

SS-7600-104-3P

- Same as above with
- H-03 adjustable spray ball joint shower head 2.5 GPM (9.5 l/min)

**THREE PERSON (Thermostatic)**

GPM (9.5 l/min) SS-7600-100/3ISA-3P-HC Three Person Surfashower®

**Not ADA compliant due to the recessed soap dish**

Same as above with

- D-2L inline diverter valve with lever handle,
- 501P(G) Hand Shower , 2.0 GPM (7.6 l/min) 69" (1.75 m) hose, 24" (610 mm) glide bar, double check valve assembly, supply elbow
- Specify left or right side

SS-7600-104-3P-HC Three Person Surfashower®

**Not ADA compliant due to the recessed soap dish**

Same as above with

- H-03 adjustable spray ball joint shower head 2.5

**OPTIONS:**

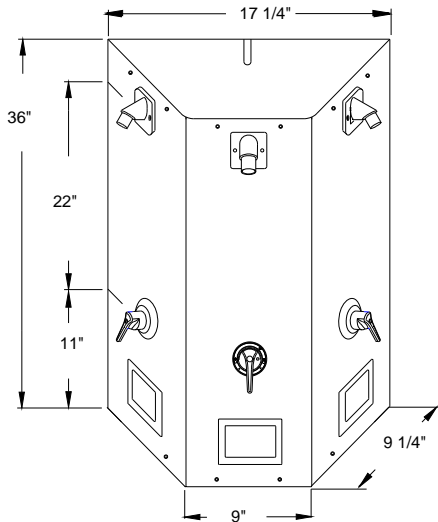
- SUFFIX VX - Integral stainless steel extension to ceiling, specify length\_\_\_\_". See reverse side to calculate VX length
- SUFFIX BC- Back connected solid top cap
- SUFFIX C102S - C102S Brass showerhead 2.0 GPM flow rate
- SUFFIX ADJ- 3ISA ONLY Adjustable shower head 2.5 GPM (9.5 l/min)
- SUFFIX 1.5- H-06 Shower head with 1.5 GPM flow rate



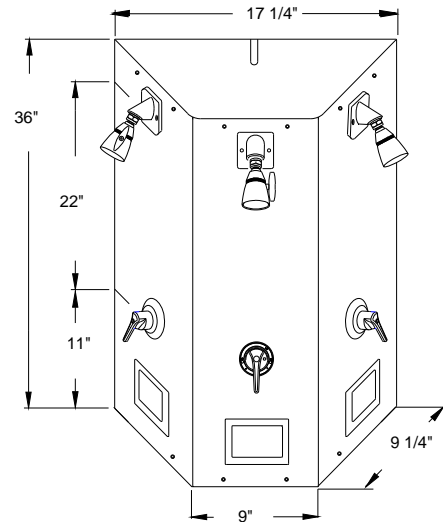
1360 Elmwood Avenue, Cranston, RI 02910 USA  
Phone: 401.461.1200 Fax: 401.941.5310  
Email: [info@leonardvalve.com](mailto:info@leonardvalve.com)  
Web Site: <http://www.leonardvalve.com>

# MULTIPLE USER surfashower®

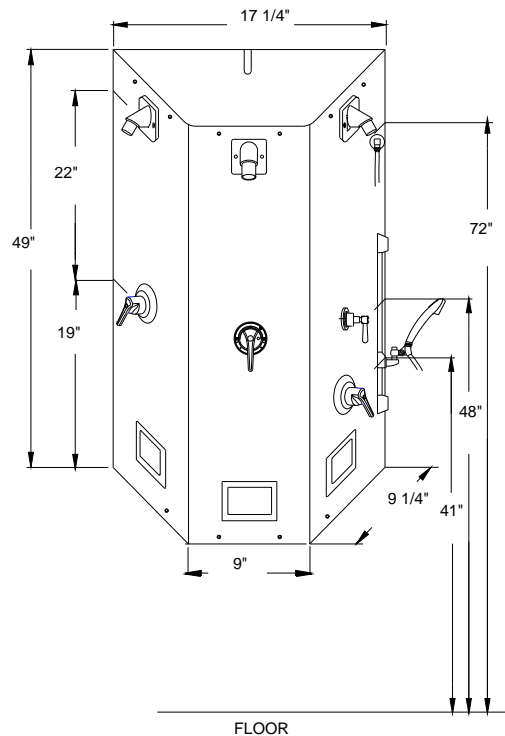
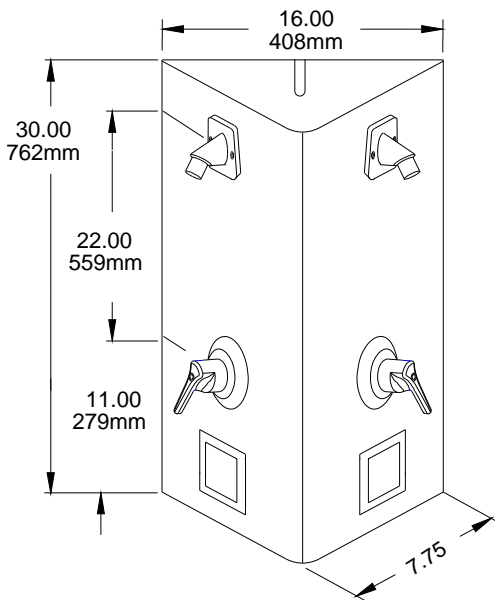
**SS-7600-100/3ISA-3P**



**SS-7600-104-3P**



**SS-7600-100/3ISA-2P**



**SUFFIX HC** (One station modified  
For handicapped use, extended  
cover) 3P Unit shown

Note: Leonard Valve Company reserves the right of product, or design modifications without notice or obligation.

© 2018 Leonard Valve Company  
Printed in USA



1360 Elmwood Avenue, Cranston, RI 02910 USA  
Phone: 401.461.1200 Fax: 401.941.5310  
Email: [info@leonardvalve.com](mailto:info@leonardvalve.com)  
Web Site: <http://www.leonardvalve.com>